

## Bramah / Joseph Pendant - Large

BMH-13893 / JPP-14054 - UK/EU Ver

BMH-14882 / JPP-14884 - US Ver

### Attention

In some countries electrical installation must be carried out by authorised electricians/ contractors; please check with your local authority for guidance.

The product must not be modified in any way. EOQ accepts no responsibility for any products that have been modified or tampered with.

If the trailing cable on this product becomes damaged it should be replaced immediately by qualified personnel to ensure there is no further danger to the user.

### Cleaning Instructions

Ensure that the power supply has been turned OFF before cleaning the product. The product can be cleaned with a soft damp cloth and mild detergent.

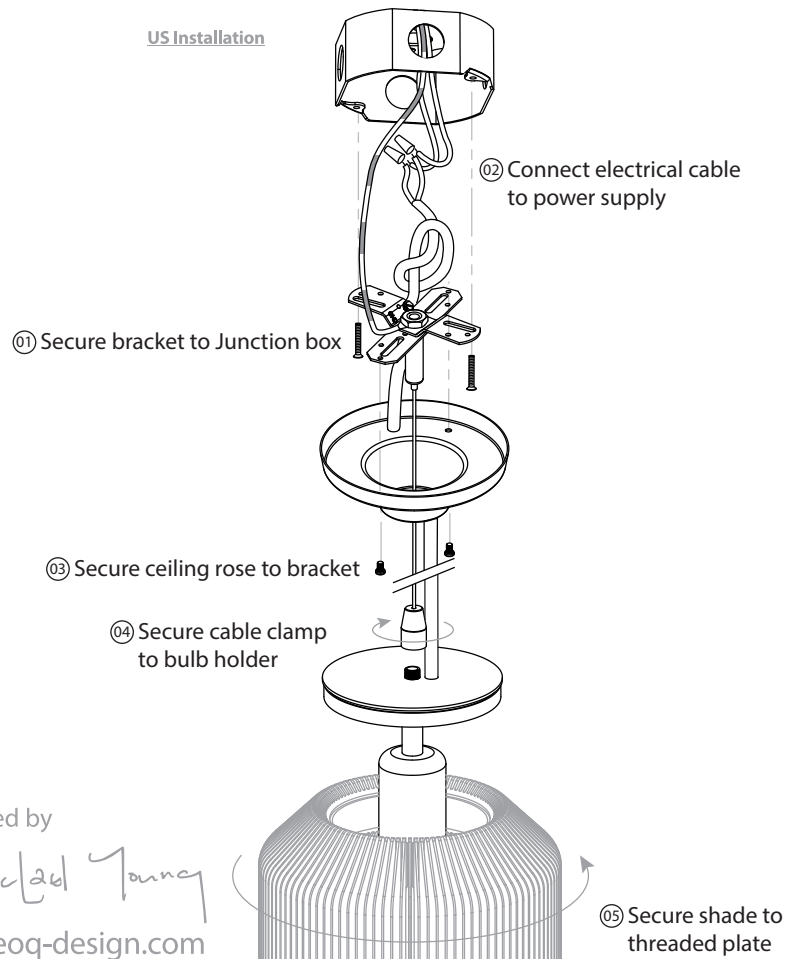
Do not use alcohol or any other solvents to clean the product.

### Technical Data

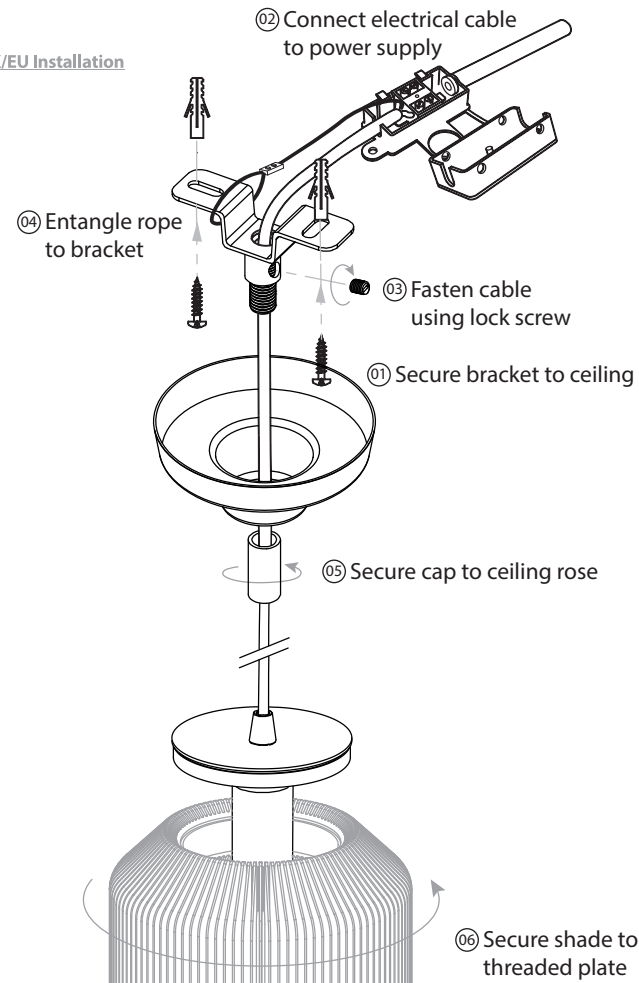
This product is not supplied with a bulb. Please use a certified E27 (E26 for US ver) bulb that lies within the suggested energy efficiency index as stated on the energy efficiency label. Any bulb used must comply with the recommended maximum voltage suggested on the safety label located on the product.

EOQ will not accept any responsibility for any accidents or injury that occurs due to the use of incorrect bulbs.

### US Installation



### UK/EU Installation



Designed by

Michael Young

www.eoq-design.com

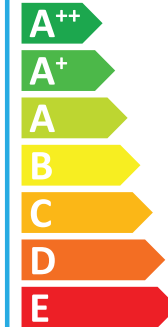


Bramah Pendant - Large

BMH-13893



This luminaire is compatible with bulbs of the energy classes:



874/2012

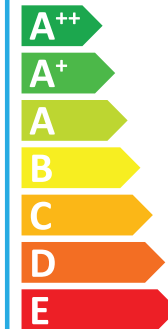


Joseph Pendant - Large

JPP-14054



This luminaire is compatible with bulbs of the energy classes:



874/2012

